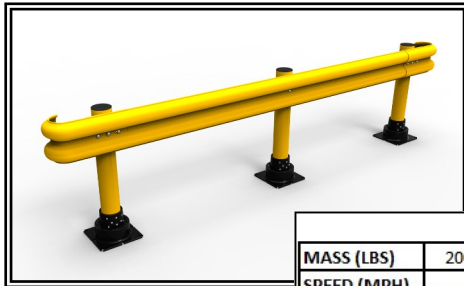
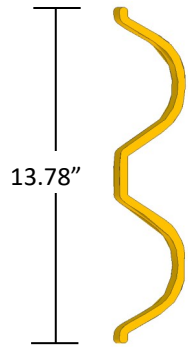
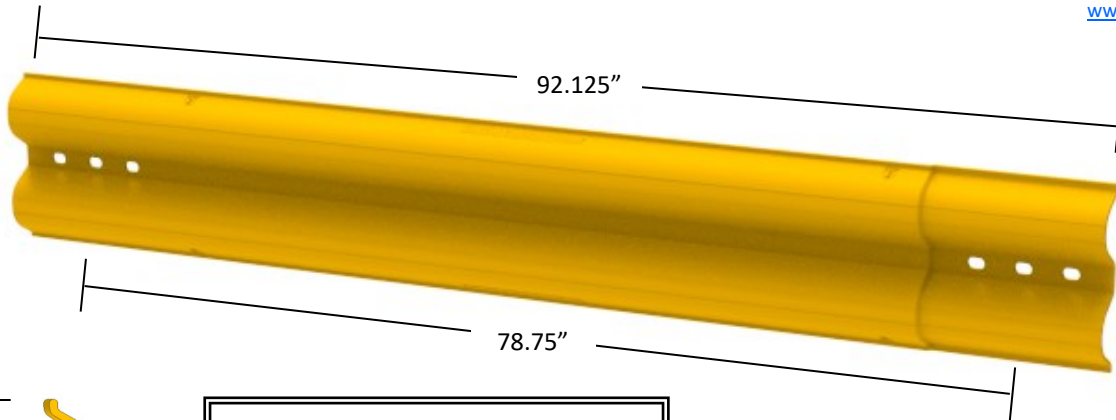


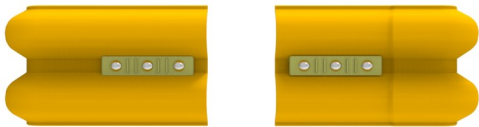


SlowStop® FlexRail - 2m (92.125") (SSRY-2)



End Caps Available

SSEY—Female, attaches to indented end
SSEY-M—Male, attaches to straight end



		90 Degree Impacts							
MASS (LBS)	SPEED (MPH)	2000	4000	6000	8000	10000	12500	15000	20000
1.0		Green	Green	Green	Green	Green	Green	Green	Green
1.5		Green	Green	Green	Green	Green	Green	Green	Green
2.0		Green	Green	Green	Green	Green	Green	Green	Green
2.5		Green	Green	Green	Green	Green	Green	Green	Green
3.0		Green	Green	Green	Green	Green	Green	Green	Green
3.5		Green	Green	Green	Green	Green	Green	Green	Green
4.0		Green	Green	Green	Green	Green	Green	Green	Green
4.5		Green	Green	Green	Green	Green	Green	Green	Green
5.0		Green	Green	Green	Green	Green	Green	Green	Green
5.5		Green	Green	Green	Green	Green	Green	Green	Green
6.0		Green	Green	Green	Green	Green	Green	Green	Green
6.5		Green	Green	Green	Green	Green	Green	Green	Green

No Damage / Negligible Damage
Will Stop / Potential Damage to Guard
May Stop / Damage to Guard

SPECIFICATIONS

- Break Strength: 24,780 lbf
- 9172 Joules (static mount)
- Max deflection: 21" (static mount)
- Temperature Rating: 32°F to 240°F
- Traffic Yellow (RAL 1023)
- Weight: 20 lbs. (approx. 25% compared to steel)
- No bending equipment required for curves (16' min. radius)

RECOMMENDED USES

- Light Duty Pedestrian Barrier
- Frontal Impacts
- Long Aisles
- Access Denial
- Parking Perimeters
- Mount to 3" or 4" SlowStop® Rebounding Bollards for increased strength.



4955 Stout Dr. • San Antonio, TX 78219
 210-736-4477 • 800-736-5256 • Fax 210-734-6448
 Email: info@slowstop.com
www.slowstop.com



QR: Download Spec Sheets
 ©2021 SlowStop. All rights reserved.