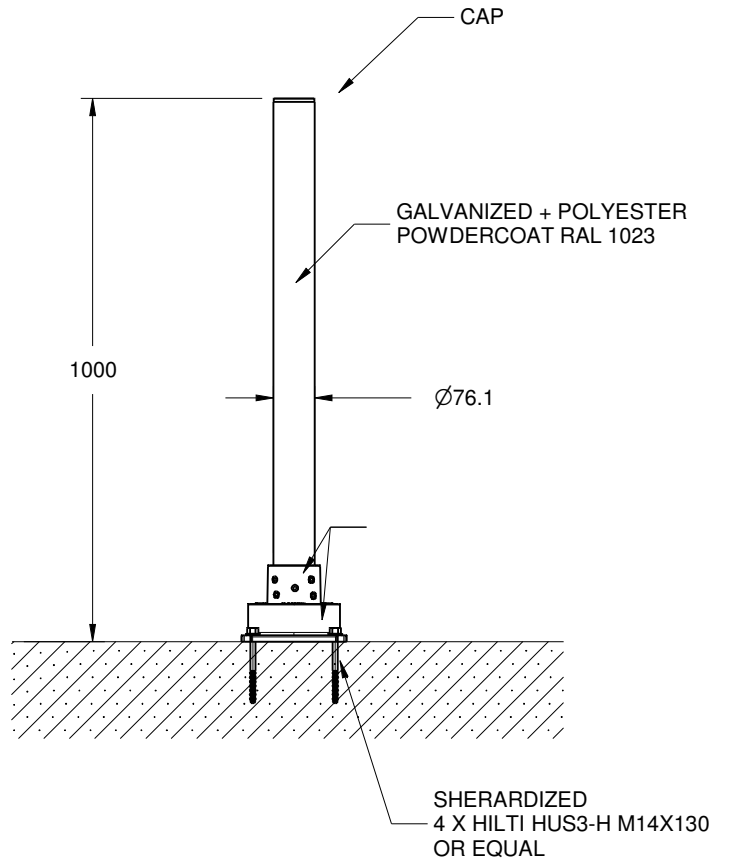
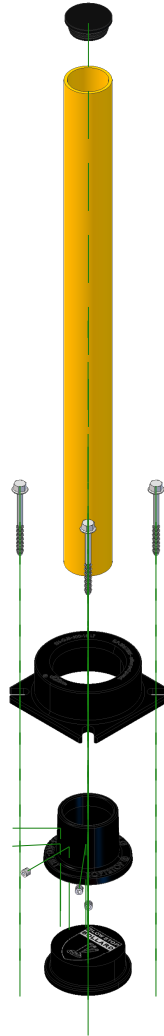


5 X M12 X 1.75MM
CUPPED SET SCREWS



* MINIMUM FOUNDATION DEPENDS ON LOCAL
SOIL CONDITIONS, WEATHER, & ENG REQ'TS

SS-T1Y-100