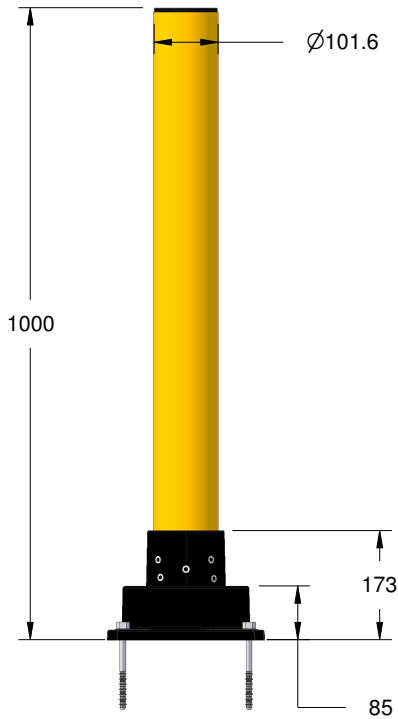


250

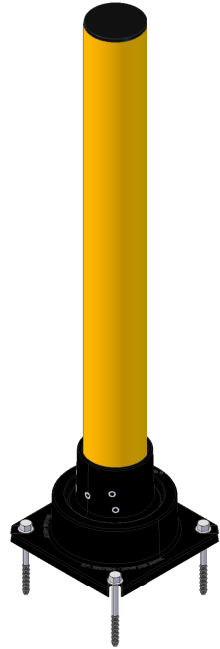


Ø101.6

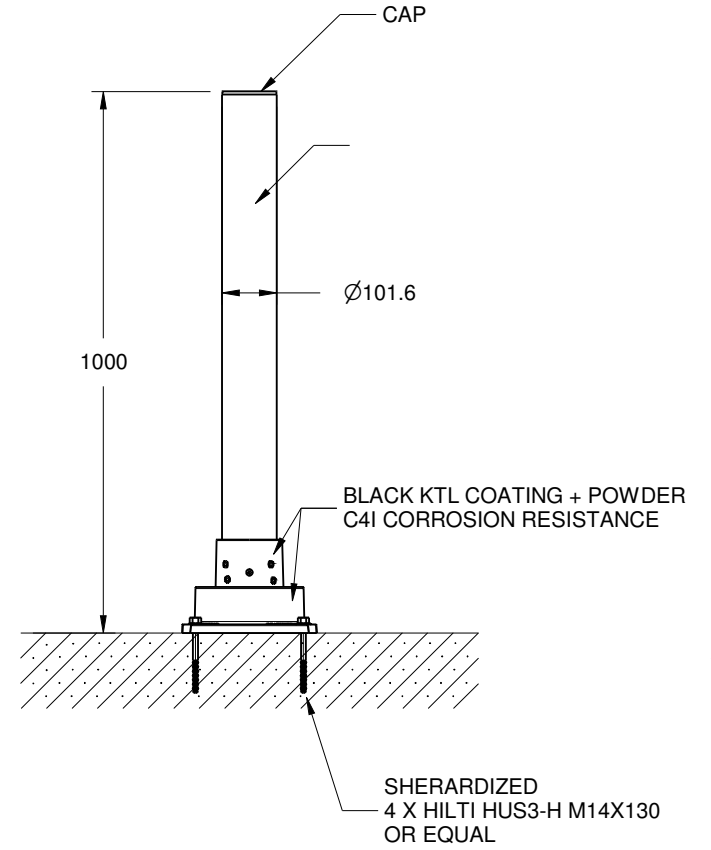
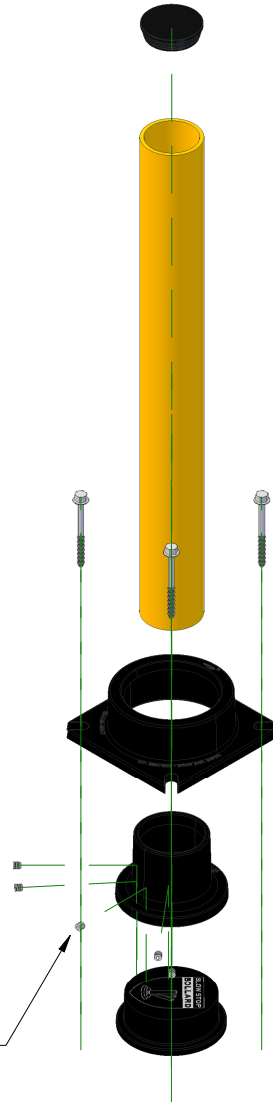
1000

173

85



5 X M16-2MM
CUPPED SET SCREWS



* MINIMUM FOUNDATION DEPENDS ON LOCAL
SOIL CONDITIONS, WEATHER, & ENG REQ'TS

SS-T2Y-100