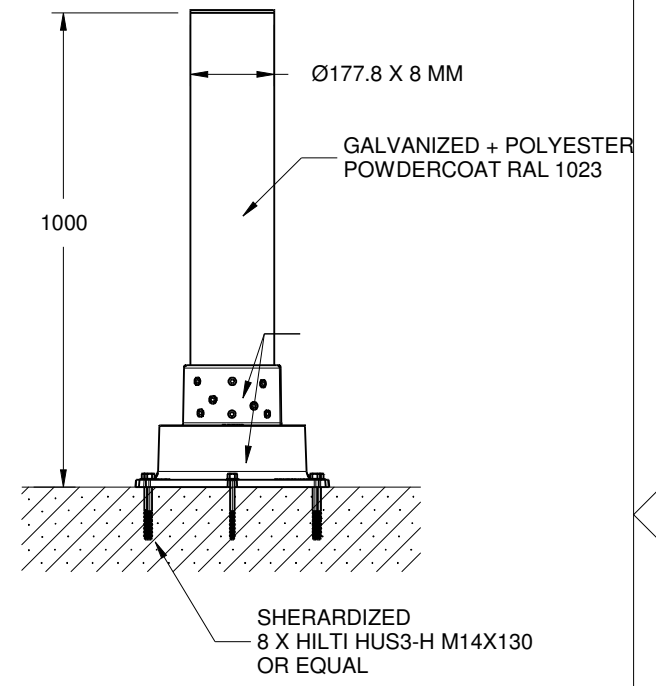
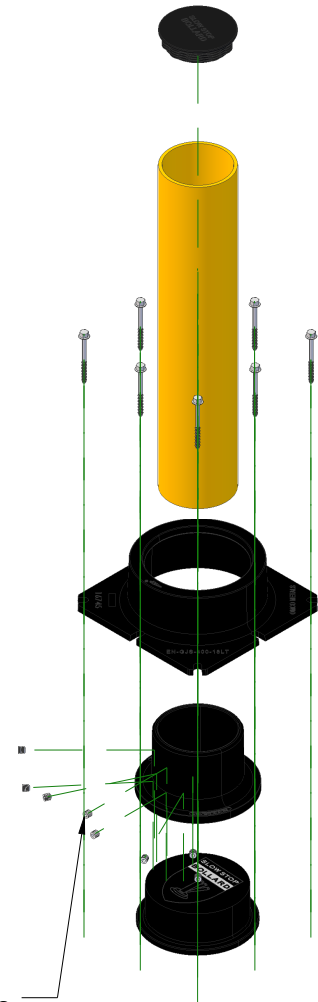


8 X M16-2MM
CUPPED SET SCREWS



* MINIMUM FOUNDATION DEPENDS ON LOCAL
SOIL CONDITIONS, WEATHER, & ENG REQTS

SS-T3Y-100