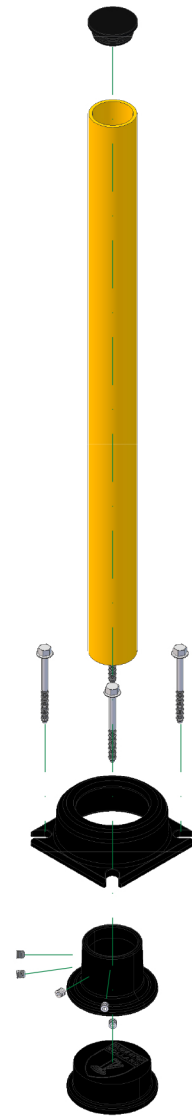
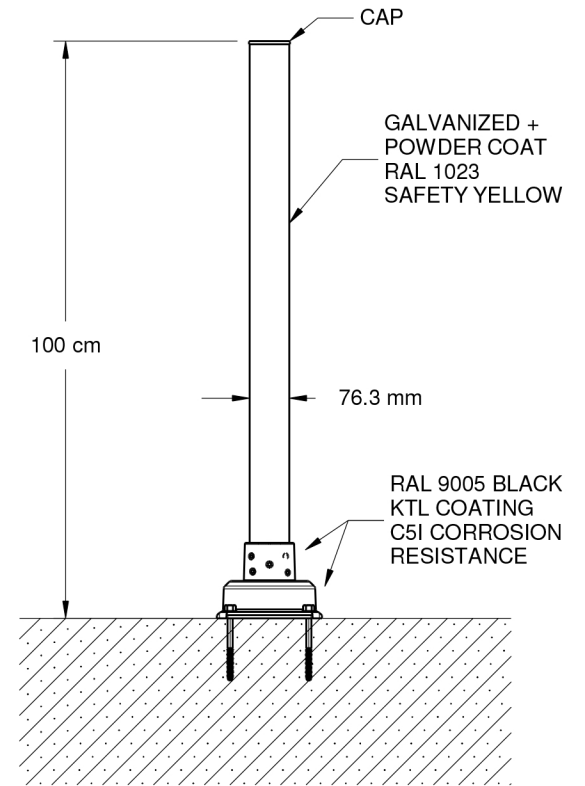


ISO



EXPLODED



* MINIMUM FOUNDATION DEPENDS ON LOCAL SOIL CONDITIONS, WEATHER & ENG. REQ'TS



www.a-csys.be
Tél. : +32 (0) 4 338 00 04
E-mail : info@a-csys.be

Parc Industriel 16 4400 Flémalle (Liège) – Belgique

SIZE
A

PART NO.
SS-T1Y-100

DWG.
TYPE 1 REBOUNING STEEL BOLLARD

REV
2.0

SCALE

SLOWSTOP GUARDING SYSTEMS, LLC

DATE 12-JUN-2017